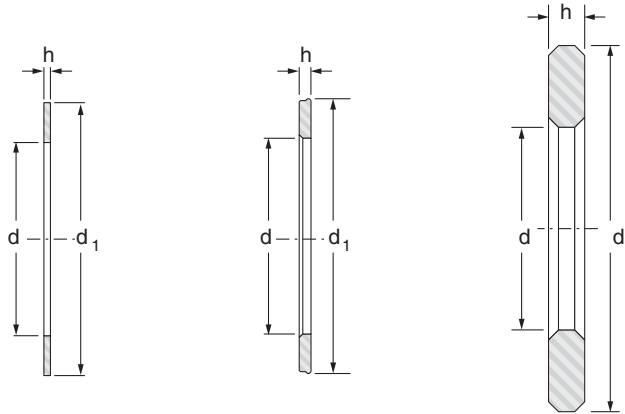


Thrust plates

CP thin and thick series, CPR heavy series



CP thin series

CP thick series

CPR heavy series

Shaft ∅ mm	d mm	d ₁ mm	Designation	h mm	Weight kg	Designation	h mm	Weight kg	Designation	h mm	Weight kg
			CP Thin series			CP Thick series			CPR Heavy series		
10	10	21.5	CP 10 22	0.8	0.002	CP 2 10 22	2	0.004			
12	12	25.5	CP 12 26	0.8	0.003	CP 2 12 26	2	0.006			
15	15	27.5	CP 15 28	0.8	0.003	CP 2 15 28	2	0.006			
17	17	29.5	CP 17 30	0.8	0.003	CP 2 17 30	2	0.007			
20	20	34.5	CP 20 35	0.8	0.004	CP 3 20 35	3	0.013			
25	25	41.5	CP 25 42	0.8	0.005	CP 3 25 42	3	0.019			
	25	52							CPR 4 25 52	4	0.052
30	30	46.5	CP 30 47	0.8	0.006	CP 3 30 47	3	0.022			
	30	60							CPR 5 30 60	5	0.083
35	35	51.5	CP 35 52	0.8	0.007	CP 3 35 52	3	0.026			
	35	68							CPR 5 35 68	5	0.102
40	40	59.5	CP 40 60	0.8	0.009	CP 3 40 60	3	0.034			
	40	78							CPR 6 40 78	6	0.162
45	45	64.4	CP 45 65	0.8	0.010	CP 3 45 65	3	0.037			
	45	85							CPR 8 45 85	8	0.245
50	50	69.4	CP 50 70	0.8	0.011	CP 3 50 70	3	0.040			
	50	95							CPR 8 50 95	8	0.308
55	55	77.4	CP 55 78	0.8	0.014	CP 4 55 78	4	0.069			
	55	105							CPR 8 55 105	8	0.380
60	60	84.3	CP 60 85	0.8	0.017	CP 4 60 85	4	0.083			
	60	110							CPR 8 60 110	8	0.405
65	65	89.3	CP 1.5 65 90	1.5	0.033	CP 4 65 90	4	0.088			
	65	115							CPR 8 65 115	8	0.430
70	70	94.3	CP 1.5 70 95	1.5	0.034	CP 4 70 95	4	0.093			
	70	125							CPR 8 70 125	8	0.510